



## Power Everything with Tesla Powerwall 3

Affordable, whole-home backup solution offering uninterrupted power and better battery performance for increased savings and lower electricity bills.



[www.SaveaLotSolar.com](http://www.SaveaLotSolar.com)

 (833) USOLAR2  
(833) 876 - 5272

C46-Solar Contractor License 971422

**T E S L A**  
**POWERWALL**  
CERTIFIED INSTALLER

### Low Cost by Design

- Integrated inverter and controls require fewer parts for simpler and faster installs
- Effortless battery expansion, now or later, with plug and play energy additions

### More Savings

- Solar energy is captured more efficiently with the integrated inverter because it offers built-in power conversion
- Analyzes historical energy use data and forecasts weather and energy to optimize energy usage

### Most Durable/Reliable

- Engineered to perform at high elevation, humidity and over a large temperature range
- Intelligently controls its temperature for optimal performance even in the coldest temps
- Flood resistant and submersible up to 28 inches

### Better Outage Protection

- One single unit can seamlessly back up your entire home when an outage occurs
- PW3 stores more energy for increased protection against power outages
- Powerwall provides seamless transitions to backup when grid connection is interrupted
- Storm Watch monitors weather data and automatically charges Powerwall if a severe weather event is in the forecast

### EV Integration

- Charge on Solar - Use excess solar generated to 'drive on sunshine'
- Off-grid charging - Charge your vehicle from solar, even while the grid is down
- Powershare - Extend backup duration and shift energy between your vehicle and Powerwall to meet your needs

# Powerwall 3

## Power Everything

Powerwall 3 is a fully integrated solar and battery system, designed to accelerate the transition to sustainable energy. Customers can receive whole home backup, cost savings, and energy independence by producing and consuming their own energy while participating in grid services. Once installed, customers can manage their system using the Tesla App to customize system behavior to meet their energy goals.

Powerwall 3 achieves this by supporting up to 20 kW DC of solar and providing 11.5 kW AC of continuous power per unit. It has the ability to start heavy loads up to 185 A LRA, meaning a single unit can support the power needs of most homes. Powerwall 3 is designed for mass production, fast and efficient installations, easy system expansion, and simple connection to any electrical service.



# Powerwall 3 Technical Specifications

System Technical Specifications	Model Number	1707000-xx-y
	Nominal Grid Voltage (Input & Output)	120/240 VAC
	<b>Grid Type</b>	Split phase
	<b>Frequency</b>	60 Hz
	<b>Overcurrent Protection Device</b>	Configurable up to 60 A
	<b>Solar to Battery to Home/Grid Efficiency</b>	89% <sup>1</sup>
	<b>Solar to Home/Grid Efficiency</b>	97.5% <sup>3</sup>
	<b>Supported Islanding Devices</b>	Backup Gateway 2, Backup Switch
	Connectivity	Wi-Fi (2.4 and 5 GHz), Dual-port switched Ethernet, Cellular (LTE/4G <sup>4</sup> )
	Hardware Interface	Dry contact relay, Rapid Shutdown (RSD) certified switch and 2-pin connector, RS-485 for meters
	<b>AC Metering</b>	Revenue Grade(+/- 0.5%)
	<b>Protections</b>	Integrated arc fault circuit interrupter (AFCI), Isolation Monitor Interrupter (IMI), PV Rapid Shutdown (RSD) using Tesla Mid-Circuit Interrupters
	<b>Customer Interface</b>	Tesla Mobile App
	Warranty	10 years

Solar Technical Specifications	Maximum Solar STC Input	20 kW
	Withstand Voltage	600 V DC
	PV DC Input Voltage Range	60 - 550 V DC
	PV DC MPPT Voltage Range	150 - 480 V DC
	MPPTs	6
	Maximum Current per MPPT (Imp)	13 AS
	Maximum Short Circuit Current per MPPT (I <sub>sc</sub> )	15 AS

Battery Technical Specifications	Nominal Battery Energy	135 kWh AC <sup>2</sup>
	Maximum Continuous Discharge Power	115 kW AC
	Maximum Continuous Charge Power	5 kW AC
	Output Power Factor Rating	0 - 1(Grid Code configurable)
	Maximum Continuous Current	48 A
	Maximum Output Fault Current	10 kA
	Load Start Capability (1 s)	185 A LRA
	<b>Power Scalability</b>	Up to 4 Powerwall 3 units supported

<sup>1</sup> Typical solar shifting use case.

<sup>2</sup> Values provided for 25 °C (77 °F), at beginning of life. 3.3 kW charge/discharge power.

<sup>3</sup> Tested using CEC weighted efficiency methodology.

<sup>4</sup> Cellular connectivity subject to network service coverage and signal strength.

<sup>5</sup> Where the DC input current exceeds the MPPT rating, a jumper can be used to combine two MPPTs into a single input to intake DC current up to 26 A I<sub>MP</sub> / 30 A I<sub>SC</sub>

# Powerwall 3 Technical Specifications

## Environmental Specifications

<b>Operating Temperature</b>	-20 °C to 50 °C (-4 °F to 122 °F) <sup>6</sup>
<b>Operating Humidity (RH)</b>	Up to 100%, condensing
<b>Storage Temperature</b>	-20 °C to 30 °C (-4 °F to 86 °F), up to 95% RH, non-condensing, State of Energy (SOE): 25% initial
<b>Maximum Elevation</b>	3000 m (9843 ft)
<b>Environment</b>	Indoor and outdoor rated
<b>Enclosure Rating</b>	<b>NEMA 3R</b>
<b>Ingress Rating</b>	IP67 (Battery & Power Electronics) IP45 (Wiring Compartment)
<b>Pollution Rating</b>	PD3
<b>Operating Noise @ 1 m</b>	<50 db(A) typical <62 db(A) maximum

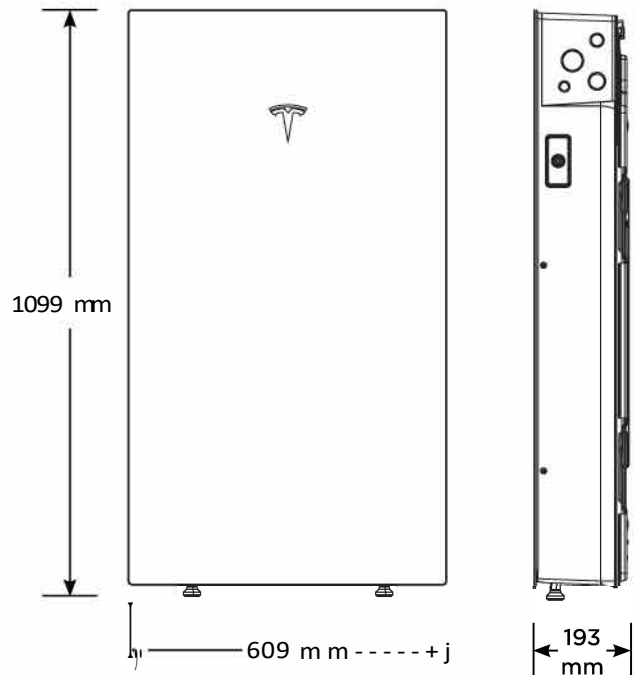
<sup>6</sup> Performance may be de-rated at operating temperatures above 40 °C (104 °F).

## Compliance Information

<b>Certifications</b>	UL 1642, UL 1699B, UL 1741, UL 1741 SA, UL 1741 SB, UL 1741 PCS, UL 3741, UL 1973, UL 1998, UL 9540, IEEE 1547-2018, IEEE 1547.1, UN 38.3
<b>Grid Connection</b>	United States
<b>Emissions</b>	FCC Part 15 Class B
<b>Environmental</b>	RoHS Directive 2011/65/EU
<b>Seismic</b>	AC156, IEEE 693-2005 (high)
<b>Fire Testing</b>	Meets the unit level performance criteria of UL 9540A

## Mechanical Specifications

<b>Dimensions</b>	1099 x 609 x 193 mm (43.25 x 24 x 7.6 in)
<b>Weight</b>	130 kg (287 lb)
<b>Mounting Options</b>	Floor or wall mount



# Solar Shutdown Device Technical Specifications

The Solar Shutdown Device is a Mid-Circuit Interrupter (MCI) and is part of the PV system rapid shutdown (RSD) function in accordance with Article 690 of the applicable NEC. When paired with Powerwall 3, solar array shutdown is initiated by any loss of AC power.

Electrical Specifications	Model	MCI-1	MCI-2
	Nominal Input DC Current Rating ( $I_{MP}$ )	13 A	13 A
	Maximum Input Short Circuit Current ( $I_{SC}$ )	19 A	17 A
	Maximum System Voltage (PVHCS)	600 V DC	1000 V DC <sup>7</sup>

<sup>7</sup> Maximum System Voltage is limited by Powerwall to 600 V DC.

RSD Module Performance	<b>Maximum Number of Devices per String</b>	5	5
	<b>Control</b>	Power Line Excitation	Power Line Excitation
	<b>Passive State</b>	Normally Open	Normally Open
	<b>Maximum Power Consumption</b>	7 W	7 W
	<b>Warranty</b>	25 years	25 years

Environmental Specifications	Operating Temperature	-40° C to 50° C (-40° F to 122° F)	-45° C to 70° C (-49° F to 158° F)
	Storage Temperature	-30° C to 70° C (-22° F to 158° F)	-30° C to 70° C (-22° F to 158° F)
	Enclosure Rating	NEMA 4X / IP65	NEMA 4X / IP65

Mechanical Specifications	Electrical Connections	MC4 Connector	MC4 Connector
	Housing	Plastic	Plastic
	Dimensions	125 x 150 x 22 mm (5 x 6 x 1 in)	173 x 45 x 22 mm (6.8 x 1.8 x 1 in)
	<b>Weight</b>	350 g (0.77 lb)	120 g (0.26 lb)
	Mounting Options	ZEP Home Run Clip M4 Screw (#10) MS Bolt (5/16") Nail / Wood screw	Wire Clip

Compliance Information	Certifications	UL 1741 PVRSE, UL 3741, PVRSA (Photovoltaic Rapid Shutdown Array)
	<b>RSD Initiation Method</b>	External System Shutdown Switch or Powerwall 3 Enable Switch

UL 3741 PV Hazard Control  
(and PVRSA) Compatibility

See Powerwall 3 Installation Manual

# Backup Switch

The Tesla Backup Switch controls connection to the grid in a Powerwall system, and can be easily installed behind the utility meter or in a standalone meter panel downstream of the utility meter.

The Backup Switch automatically detects grid outages, providing a seamless transition to backup power. It communicates directly with Powerwall, allowing home energy usage monitoring from any mobile device with the Tesla app.

## Performance Specifications

Model Number	1624171-xx-y
Continuous Load Rating	200 A, 120/240 V split phase
Maximum Supply Short Circuit Current	22 kA with breaker <sup>10</sup>
Communication	CAN
AC Meter	Revenue accurate(+/- 0.5%)
Expected Service Life	21 years
<b>Warranty</b>	<b>10 years</b>

<sup>8</sup> Breaker maximum supply short circuit current rating must be equal to or greater than the available fault current.

## Environmental Specifications

<b>Operating Temperature</b>	-40° C to 50° C (-40° F to 122° F)
<b>Storage Temperature</b>	-40° C to 85° C (-40° F to 185° F)
Enclosure Rating	NEMA 3R
Pollution Rating	PD3

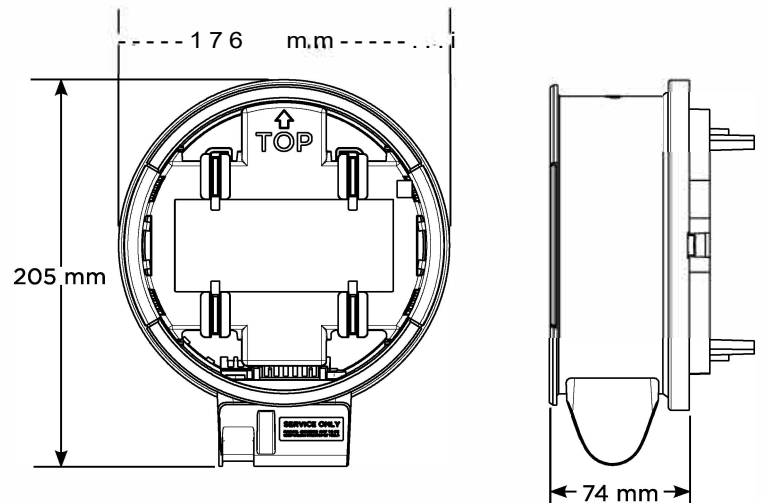
## Compliance Information

Safety Standards	USA: UL 414, UL 2735, UL 916, CA Prop 65
Emissions	FCC, ICES

## Mechanical Specifications

Dimensions	176 x 205 x 74 mm (6.9 x 81 x 2.9 in)
Weight	2.8 lb
<b>Meter and Socket Compatibility</b>	ANSI Type 2S, ringless or ring type
<b>External Service Interface</b>	Contactor manual override <sup>11</sup> Reset button
<b>Conduit Compatibility</b>	1/2-inch NPT

<sup>9</sup> Manually overrides the contactor position during a service event.



# Backup Gateway 2

Backup Gateway 2 controls connection to the grid when paired with Powerwall 3, automatically detecting outages and providing seamless transition to backup power. Backup Gateway 2 also provides energy metering for solar self-consumption, time-based control, and backup operation.

In this system configuration, Powerwall 3 acts as the Site Controller, with the Backup Gateway 2 Site Controller disabled.

## Performance Specifications

<b>Model Number</b>	1232100-xx-y
<b>AC Voltage (Nominal)</b>	120/240 V
<b>Feed-in Type</b>	Split phase
<b>Grid Frequency</b>	60 Hz
<b>Current Rating</b>	200 A
Maximum Supply	10 kA <sup>8</sup>
<b>Short Circuit Current</b>	
<b>Overcurrent Protection Device</b>	100 - 200 A, Service entrance rated <sup>9</sup>
<b>Overvoltage Category</b>	Category IV
<b>Internal Primary AC Meter</b>	Revenue accurate (+/- 0.2%)
<b>Internal Auxiliary AC Meter</b>	Revenue accurate (+/- 2%)
<b>Primary Connectivity</b>	Ethernet, Wi-Fi
<b>Secondary Connectivity</b>	Cellular (3G, LTE/4G) <sup>10</sup>

<b>User Interface</b>	Tesla App
<b>Operating Modes</b>	Support for solar self-consumption, time-based control, and backup
<b>Backup Transition</b>	Automatic disconnect for seamless backup
<b>Modularity</b>	Supports up to 10 AC-coupled Powerwalls
Optional Internal Panelboard	200 A 6-space / 12 circuit breakers Siemens QP or Square D HOM breakers rated 10 - BOA or Eaton BR breakers rated 10 - 125A
<b>Warranty</b>	10 years

<sup>10</sup> When protected by Class J fuses, Backup Gateway 2 is suitable for use in circuits capable of delivering not more than 22kA symmetrical amperes.

<sup>11</sup> The customer is expected to provide internet connectivity for Backup Gateway 2, cellular should not be used as the primary mode of connectivity. Cellular connectivity subject to network operator service coverage and signal strength.

## Environmental Specifications

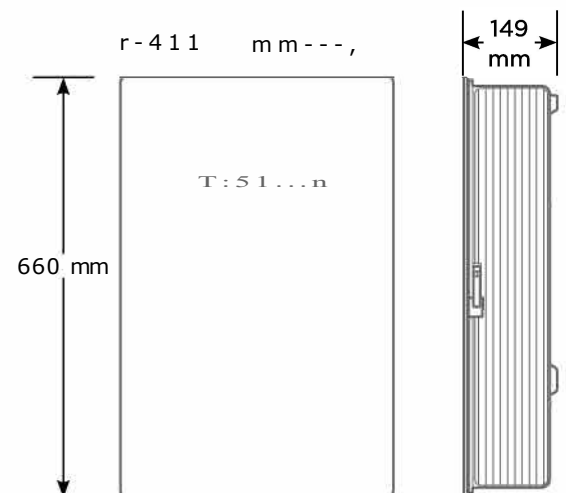
<b>Operating Temperature</b>	-20 °C to 50 °C (-4 °F to 122 °F)
Operating Humidity (RH)	Up to 100%, condensing
Maximum Elevation	3000 m (9843 ft)
Environment	Indoor and outdoor rated
Enclosure Type	NEMA 3R

## Compliance Information

Certifications	UL 67, UL 869A, UL 916, UL 1741 PCS, CSA 22.2 0.19, CSA 22.2 205
Emissions	FCC Part 15, ICES 003

## Mechanical Specifications

<b>Dimensions</b>	660 x 411 x 149 mm (26 X 16 X 6 in)
<b>Weight</b>	20.4 kg (45 lb)
<b>Mounting options</b>	Wall mount, Semi-flush mount



## TESLA POWERWALL LIMITED WARRANTY (USA)

**Effective Date: August 21, 2023**

**Applies to:**

<b>Powerwall 2 AC</b>	<b>Part Number 1108567-xx-x</b> <b>Part Number 1092170-xx-x</b> <b>Part Number 2012170-xx-x</b> <b>Part Number 3012170-xx-x</b>
<b>Powerwall+</b>	<b>Part Number 1850000-xx-x</b>
<b>Powerwall 3</b>	<b>Part Number 1707000-xx-x</b>
<b>Gateway</b>	<b>Part Number 1099752-xx-x</b>
<b>Backup Gateway</b>	<b>Part Number 1118431-xx-x</b> <b>Part Number 1232100-xx-x</b>
<b>Energy Meter</b>	<b>Part Number 1112484-xx-x</b>
<b>Backup Switch</b>	<b>Part Number 1624171-xx-x</b>
<b>Tesla Solar Shutdown Device</b>	<b>Part Number 1550379-xx-y</b>

### **Ten Year Limited Warranty**

This Limited Warranty applies to the Powerwall 2, Powerwall+, and/or the Powerwall 3 (collectively referred to as “Powerwall”) and related products listed in the table above (the “Tesla Products”) provided they are installed on your site. Tesla, Inc. warrants that:

- (1) Your Powerwall will be free from defects for ten years following its initial installation date; and
- (2) Your Powerwall will have an energy capacity of 13.5 kWh on its initial installation date, and will retain energy capacity as shown in the table below.

<b>Application</b>	<b>Energy Retention<sup>1</sup></b>	<b>Operating Limitation</b>
Solar self-consumption <sup>2</sup> or time-based control <sup>3</sup> , and backup <sup>4</sup>	70% at 10 years following initial installation date	<b>Unlimited cycles</b>
Any application not listed above, or any combination of applications that includes one not listed above	70% at 10 years following initial installation date	37.8 MWh of aggregate throughput <sup>5</sup>

Your system may (but not necessarily will) include other Tesla Products.

<sup>1</sup> Expressed as a % of 13.5 kWh rated capacity.

<sup>2</sup> Storing energy generated by an onsite solar array, and using that stored solar energy for daily self-consumption.

<sup>3</sup> Storing energy generated by the grid or an onsite solar array, and using that stored energy for time-of-use load shifting.

<sup>4</sup> Storing energy generated by the grid or an onsite solar array, and using that stored energy as backup power.

<sup>5</sup> Measured at the battery AC output.



Powerwall+ and Powerwall 3 may also be installed with one or more Tesla Solar Shutdown Devices. The Tesla Solar Shutdown Device is a device installed underneath the solar array when needed to comply with the rapid shutdown requirements of the National Electrical Code. The applicable provisions of this Limited Warranty will only apply to the Tesla Solar Shutdown Device if it has been installed in a System with a Powerwall, and if applicable, Tesla, Inc. warrants that your Solar Shutdown Device(s) will be free from defects for twenty-five (25) years following its initial installation date.

Note that this Limited Warranty (including its duration) is subject to a number of important exclusions and limitations, which are set out in detail below.

### **Remedies**

If your Tesla Product fails to comply with the above Limited Warranty, Tesla will, in its sole discretion, either repair your Tesla Product (using new or refurbished parts), replace your Tesla Product with an equivalent product (new or refurbished), or refund you the market price of an equivalent product at the time of the warranty claim. If your Tesla Product is repaired or replaced under this Limited Warranty, the remainder of the original warranty period will apply to the repaired or replacement product. Under no circumstances will the original warranty period be extended as a result of your Tesla Product being repaired or replaced.

### **What Products are Covered?**

This Limited Warranty applies to any Powerwall and related Tesla Product that (1) was purchased from Tesla or a Tesla certified installer in the United States of America; (2) has one of the part numbers referenced above; and (3) is installed in the United States of America. Please contact Tesla if you have any concerns regarding whether you purchased your Tesla Product from a Tesla certified installer.

### **Who Can Make a Claim?**

Limited Warranty claims can be made by or on behalf of the end user who acquired and put the Tesla Product into use for the first time. A subsequent owner of the Tesla Product who provides proof of ownership is also entitled to make Limited Warranty claims.

**Agreement to Arbitrate.** Please carefully read this provision, which applies to any dispute between you and Tesla, Inc. and its affiliates (together “Tesla”).

If you have a concern or dispute, please send a written notice describing it and your desired resolution to [resolutions@tesla.com](mailto:resolutions@tesla.com).

If not resolved within 60 days, you agree that any dispute arising out of or relating to any aspect of the relationship between you and Tesla will not be decided by a judge or jury but instead by a single arbitrator in an arbitration administered by the American Arbitration Association (AAA) under its Consumer Arbitration Rules. This includes claims arising before this Agreement, such as claims related to statements about our products.

We will pay all AAA fees for any arbitration, which will be held in the city or county of your residence. To learn more about the Rules and how to begin an arbitration, you may call any AAA office or go to <http://www.adr.org>.

The arbitrator may only resolve disputes between you and Tesla and may not consolidate claims without the consent of all parties. The arbitrator cannot hear class or representative claims or requests for relief on behalf of others purchasing or leasing Tesla products. In other words, you and Tesla may bring claims against the other only in your or its individual capacity and not as a plaintiff or class member in any class or representative action. If a court or arbitrator decides that any part of this agreement to arbitrate cannot be enforced as to a particular claim for relief or remedy (such as injunctive or declaratory relief), then that claim or remedy (and only that claim or remedy) shall be severed and must be brought in court and any other claims must be arbitrated.

If you prefer, you may instead take an individual dispute to small claims court.

You may opt out of arbitration within 30 days after signing this Agreement by sending a letter to: Tesla, Inc.; P.O. Box 15430; Fremont, CA 94539-7970, stating your name, product, and intent to opt out of the arbitration provision. If you do not opt out, this agreement to arbitrate overrides any different arbitration agreement between us, including any arbitration agreement in a lease or finance contract.

### **Limitations and Disclaimer**

**THIS LIMITED WARRANTY IS THE ONLY EXPRESS WARRANTY MADE IN CONNECTION WITH YOUR POWERWALL AND RELATED TESLA PRODUCT.** Any other warranties, remedies and conditions, whether oral, written, statutory, express or implied (including any warranties of merchantability and fitness for purpose, and any warranties against latent or hidden defects) are expressly disclaimed. If such warranties cannot be disclaimed, Tesla limits the duration of and remedies for such warranties to the durations and remedies described in this Limited Warranty.

## **Relationship with Applicable Law**

This Limited Warranty gives you specific legal rights. You may also have other legal rights, which vary from state to state. For example, some states do not allow limitations on how long an implied warranty lasts, meaning the limitations in the “Limitations and Disclaimer” section above may not apply to you. The terms of this Limited Warranty will apply to the extent permitted by applicable law. For a full description of your legal rights you should refer to the laws applicable in your jurisdiction.

## **General Exclusions**

This Limited Warranty does not apply to any defect or energy capacity shortfall resulting from any of the following: (i) abuse, misuse or negligence, or damage caused by or resulting from installation, operation, maintenance or repair not in accordance with applicable Tesla Product specifications and manuals, (ii) accidents or force majeure events, including but not limited to lightning, flood, earthquake, fire, or other events outside the reasonable control of Tesla; (iii) modification or repair of your Tesla Product performed by anyone other than Tesla or a Tesla certified installer; (iv) opening of the external casing of your Powerwall by anyone other than Tesla; (v) failure to operate or maintain your Tesla Product in accordance with the Owner's Manual, including removal of the Backup Switch conduit hub or operation of the manual override switch unless directed to do so by Tesla Support, or by your local electric distribution utility, or in a service event to recover power when the utility grid is supplying power; (vi) any attempt to modify your Tesla Product, whether by physical means, programming or otherwise, without the express written consent of Tesla; or (vii) removal and reinstallation of your Tesla Product at a location other than the original installation location, without the express written consent of Tesla.

You must pay for any labor charges upon receipt of replacement parts or a replacement product. Tesla will not pay for labor or any other service costs associated with installation or repair under this Limited Warranty

In addition, this Limited Warranty does not cover (a) normal wear and tear or deterioration, or superficial defects, dents or marks that do not impact the performance of your Tesla Product; (b) noise or vibration that is not excessive or uncharacteristic and does not impact your Tesla Product's performance; (c) damage or deterioration that occurs after the expiration or voiding of the warranty period; or (d) theft of your Tesla Product or any of its components.

## **Exclusion for Failure to Connect to the Internet or Failure to Register your Powerwall**

In order to provide this Limited Warranty for the full ten-year warranty period, Tesla requires the ability to update your Powerwall through remote firmware upgrades. Installation of these remote upgrades may interrupt the operation of your Powerwall for a short period. By installing your Powerwall and connecting it to the Internet, you consent to Tesla updating your Powerwall through these remote upgrades from time to time, without further notice to you. If your Powerwall is not connected to the Internet for an extended period, or has not been registered with Tesla, we may not be able to provide important remote firmware upgrades. In these circumstances, we may not be able to honor your full ten-year Limited Warranty. We would prefer to avoid this, so will try to contact you if your Powerwall's Internet connection is interrupted for an extended period. If you did not purchase your Powerwall directly from Tesla or our affiliate, **please register your Powerwall with Tesla**<sup>6</sup> so we are able to contact you, if necessary. Even if we can't honor your full ten-year Limited Warranty for the above reasons, we will always honor your Limited Warranty for at least four years following the date your Powerwall was installed for the first time, subject to the exclusions and limitations set out in this Limited Warranty.

## **California Proposition 65 Warning**

We are required to advise you that the Tesla Product may contain chemicals known to the State of California to cause cancer, birth defects and reproductive harm. We don't expect you to come into contact with any part of your Tesla Product other than the external casing. If you do, please wash your hands afterwards.

## **Modifications and Waivers**

No person or entity, including a Tesla employee or authorized representative, can modify or waive any part of this Limited Warranty. Tesla may occasionally offer to pay some or all of the cost of certain repairs that are not covered by this Limited Warranty, either for specific Tesla Product models or on an ad hoc, case-by-case basis. Tesla reserves the right to do the above at any time without incurring any obligation to make a similar payment to other Tesla Product owners.

## **Limitation of Liability**

**TESLA SHALL NOT BE LIABLE FOR ANY CONSEQUENTIAL, INCIDENTAL, INDIRECT, SPECIAL, EXEMPLARY OR PUNITIVE DAMAGES ARISING OUT OF OR RELATED TO THIS LIMITED WARRANTY, REGARDLESS OF THE FORM OF ACTION AND REGARDLESS OF WHETHER TESLA HAS BEEN INFORMED OF, OR OTHERWISE MIGHT HAVE ANTICIPATED, THE POSSIBILITY OF SUCH DAMAGES. TESLA'S LIABILITY ARISING OUT OF A CLAIM UNDER THIS LIMITED WARRANTY SHALL NOT EXCEED THE AMOUNT YOU PAID FOR YOUR POWERWALL.**

**SOME STATES DO NOT ALLOW, OR RESTRICT, THE EXCLUSION OR LIMITATION OF DAMAGES, INCLUDING INCIDENTAL OR CONSEQUENTIAL DAMAGES, SO THE ABOVE LIMITATION OR EXCLUSION MAY NOT APPLY TO YOU, OR MAY ONLY APPLY TO A LIMITED EXTENT.**

---

<sup>6</sup> The Tesla certified installer who sold and/or installed your Powerwall should give you an opportunity to register your Powerwall during the commissioning process. In order to register, you will need to accept the Tesla Customer Privacy Policy ([www.tesla.com/legal](http://www.tesla.com/legal)). If you do not register at the time of installation, you can do so later by contacting us at the email address or telephone numbers listed at the end of this Limited Warranty.

### **Limitation on Use**

**YOUR POWERWALL IS NOT INTENDED FOR USE AS A PRIMARY OR BACKUP POWER SOURCE FOR LIFE-SUPPORT SYSTEMS, OTHER MEDICAL EQUIPMENT, OR ANY OTHER USE WHERE PRODUCT FAILURE COULD LEAD TO INJURY TO PERSONS OR LOSS OF LIFE OR CATASTROPHIC PROPERTY DAMAGE. TESLA DISCLAIMS ANY AND ALL LIABILITY ARISING OUT OF ANY SUCH USE OF YOUR POWERWALL. FURTHER, TESLA RESERVES THE RIGHT TO REFUSE TO SERVICE ANY POWERWALL USED FOR THESE PURPOSES AND DISCLAIMS ANY AND ALL LIABILITY ARISING OUT OF TESLA'S SERVICE OR REFUSAL TO SERVICE YOUR POWERWALL IN SUCH CIRCUMSTANCES.**

### **Governing Law**

This Limited Warranty shall be governed by the laws of the state where your Tesla Product is installed, except to the extent inconsistent with or pre-empted by federal law. The application of the United Nations Convention on Contracts for the International Sale of Goods is expressly excluded.

### **Claims Process**

In order to make a claim under this Limited Warranty, please contact the Tesla certified installer who sold you your Tesla Product. If you are unable to contact the Tesla certified installer who sold you your Tesla Product, or if you purchased your Tesla Product directly from Tesla, you should contact Tesla at the address, email address or telephone numbers identified below. For a warranty claim to be processed, it must include (i) proof of the original purchase of your Tesla Product and any subsequent transfers of ownership, (ii) a description of the alleged defect(s), and (iii) your Tesla Product's serial number and original installation date. Prior to returning any Product to Tesla, you should obtain an RMA (Return Merchandise Authorization) number from Tesla by submitting a Service Request Form at the link indicated below.

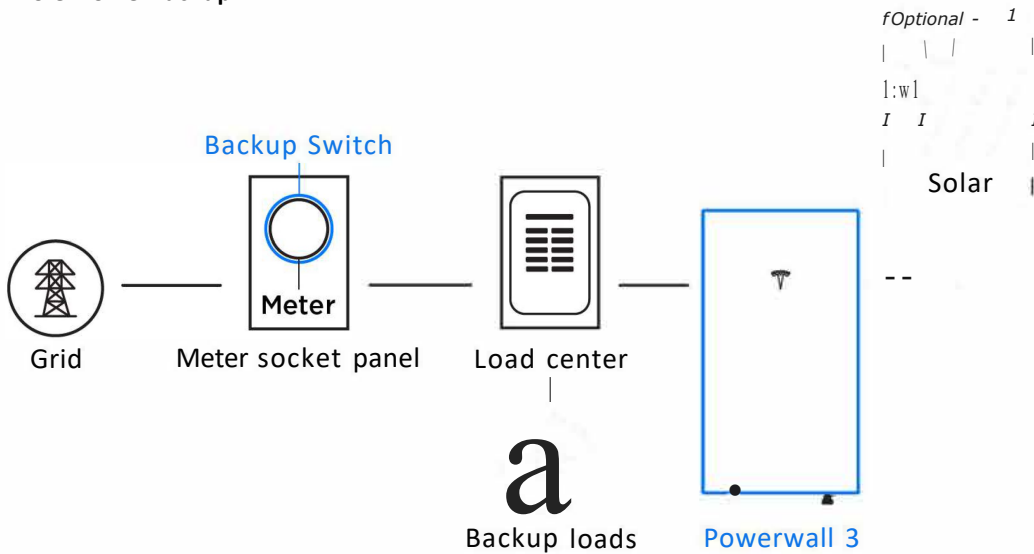
## **Tesla Contact Details**

- **Tesla website for submitting a Service Request Form:**  
[www.tesla.com/support/powerwall](http://www.tesla.com/support/powerwall)
- **Tesla email:** [powerwallsupport@tesla.com](mailto:powerwallsupport@tesla.com)
- **Tesla address:** 1 Tesla Road, Austin, TX 78725,  
Attn: Powerwall Warranty Claims
- **Tesla telephone numbers:**
  - Australia: +61 1 800 294431
  - Austria: +43 800 80 2480
  - Belgium: +32 800 26614
  - Canada: +1 (877) 798-3752
  - France: +33 18 288 5096
  - Germany: +49 800 724 4529
  - Ireland: +44 800 098 8064
  - Italy: +39 800 59 6849
  - Luxembourg: +35 280 08 0921
  - Netherlands: +31 800 3837301
  - New Zealand: +64 800 99 5020
  - Portugal: +35 180 018 0397
  - South Africa: +27 87 550 3480
  - Spain: +34 911 982 624
  - Switzerland: +41 800 002634
  - US: +1 (877) 798-3752
  - UK: +44 800 098 8064
  - Japan: +81 3-6890-7700

# Powerwall 3 Example System Configurations

## Powerwall 3 with Backup Switch

### Whole Home Backup



## Powerwall 3 with Backup Gateway 2

### Partial Home Backup

